

Technical data sheet for

FAST FRI SINGLE PAN ELECTRIC FRYER 450mm

FN8127E



- 17kW high performance single pan fryer
- Easy clean stainless steel open pan with 10 year limited warranty
- 27L oil capacity
- 32mm (1 1/4") drain valve
- Stainless steel exterior
- Easy service
- Fully modular

Overall Construction

- Stainless steel pan
- Bull nose welded 1.5mm 304 stainless steel
- Splashback 1.5mm 304 stainless steel
- Side panels 1.2mm 304 stainless steel
- Double skin door with 0.9mm 304 stainless exterior
- Hinge out counterbalanced heating elements
- 32mm (1 1/4") drain valve
- 150mm legs in 63mm dia. heavy-duty 1.2mm 304 stainless steel with adjustable feet
- 2 baskets and stainless steel lid supplied standard

Controls

- Mechanical thermostat
- Thermostat range 90-200°C
- Large easy use control with easy view scale
- Fail-safe over-temperature safety cut-out
- Element tilt switch for heating cut-out on element lift
- Indicator lights for power and heating

Cleaning and Servicing

- Open stainless steel pan with hinge out elements for easy clean
- Easy clean basket support bar
- 32mm (1 1/4") drain valve for effective draining
- Easy clean stainless steel exterior
- Access to all controls from front of unit



Technical data sheet for

FAST FRI SINGLE PAN ELECTRIC FRYER 450mm

Specifications

Production rate

31kg/hr

Pan Size

Oil capacity 27L (50lbs shortening)

Width 365mm

Length 380mm

Oil frying depth 95mm

Baskets

2 chrome plated wire baskets

140mm W x 335mm D x 145mm H

Elements

3 x 5.66kW stainless steel heating elements

Electrical requirements

17kW, 400-415Vac, 50/60Hz, 3P+N+E

L1 23.6A

L2 23.6A

L3 23.6A

Electrical Connection

62mm from RH side, 365mm from rear,
and 441mm from floor

DIMENSIONS

Width 450mm

Depth 805mm

Height 915mm

Incl. splashback 1130mm

PACKING DATA

0.53m³

Width 865mm

Depth 490mm

Height 1255mm

OPTIONS AT EXTRA COST

Waldorf Filtamax filtration system

Extra baskets

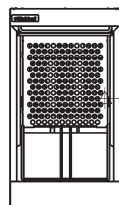
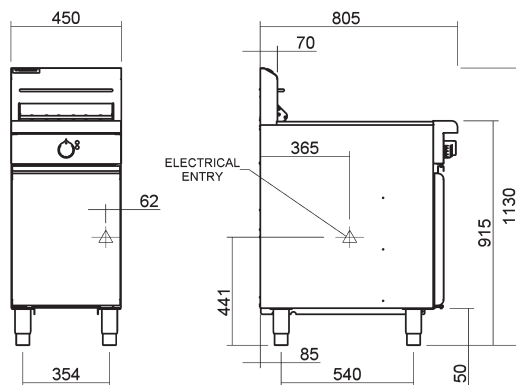
Side splash guards

Joining caps

Castors

Plinth mounting

FN8127E



Waldorf
800 SERIES

MOFFAT

Australia
www.moffat.com.au
New Zealand
www.moffat.co.nz

Australia
Moffat Pty Limited

Victoria/Tasmania
740 Springvale Road
Mulgrave, Victoria 3170
Telephone 03-9518 3888
Facsimile 03-9518 3833
vsales@moffat.com.au

New South Wales
Telephone 02-8833 4111
nswsales@moffat.com.au

South Australia
Telephone 03-9518 3888
vsales@moffat.com.au

Queensland
Telephone 07-3630 8600
qldsales@moffat.com.au

Western Australia
Telephone 08-9562 0263
jberent@moffat.com.au

New Zealand
Moffat Limited

Christchurch
Telephone 03-389 1007
sales@moffat.co.nz

Auckland
Telephone 09-574 3150
sales@moffat.co.nz



ISO9001
Quality
Management
Standard

Designed and manufactured by

MOFFAT

ISO9001
All Waldorf products are designed and manufactured by Moffat using the internationally recognised ISO9001 quality management system, covering design, manufacture and final inspection, ensuring consistent high quality at all times.

In line with policy to continually develop and improve its products, Moffat Limited reserves the right to change specifications and design without notice.

Printed in New Zealand
© Copyright Moffat Limited
Moffat/4639/BH/1M/8.05

